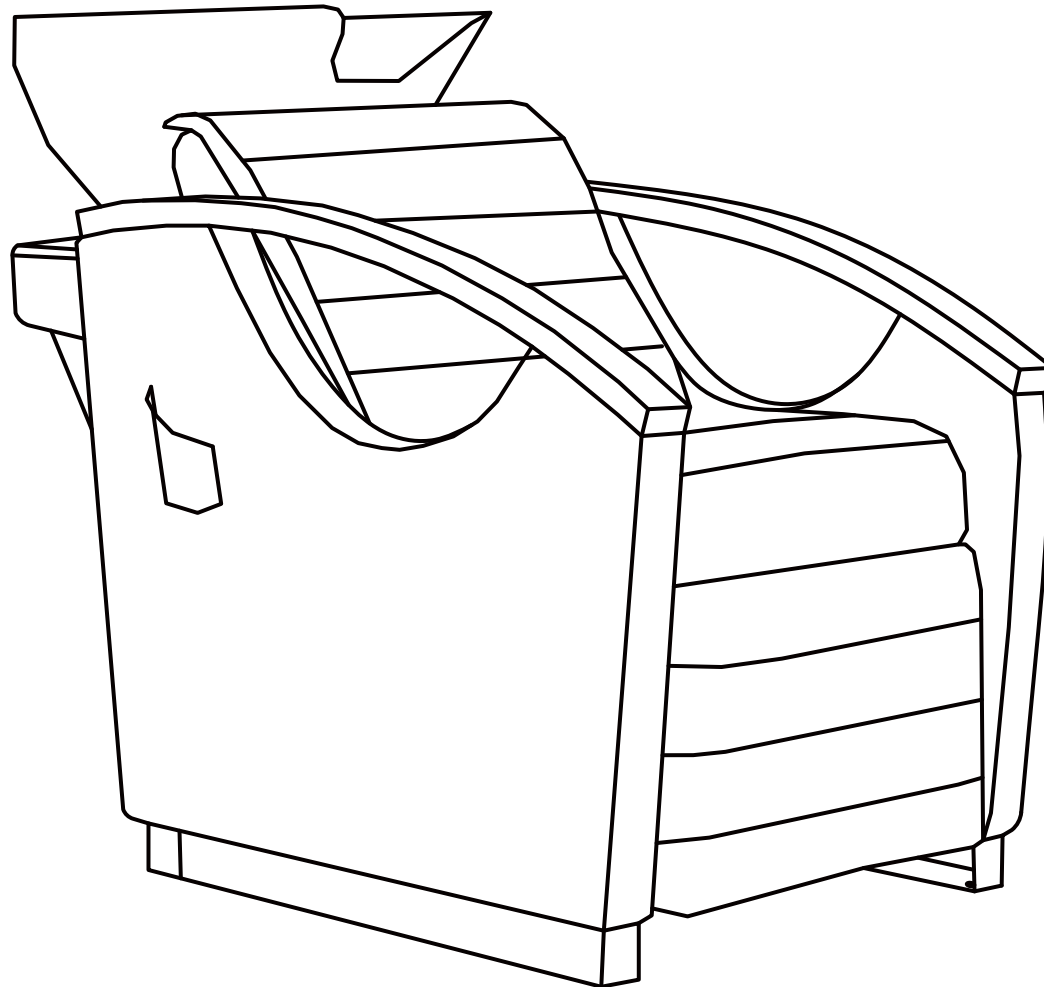


# DIR<sup>®</sup>

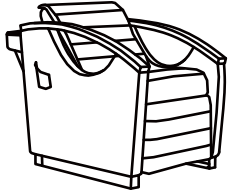
# Bella V

7905

INSTRUCTION MANUAL

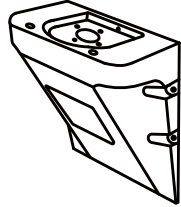


# List of Parts & Tools



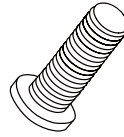
x1

Massage Shampoo Chair



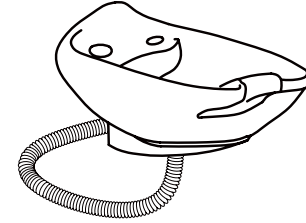
x1

Sink Support Panel



x4

Bolting Screws



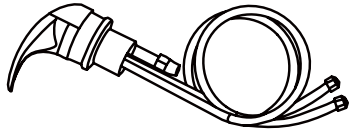
x1

Ceramic Sink



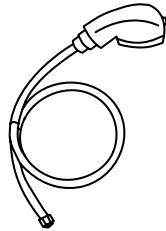
x4

Washer & Nuts - already placed on sink



x1

Faucet Kit



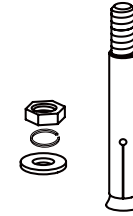
x1

Sprayer & Hose



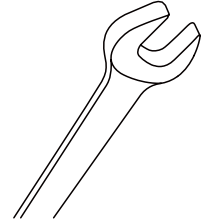
x1

Neckrest



x2

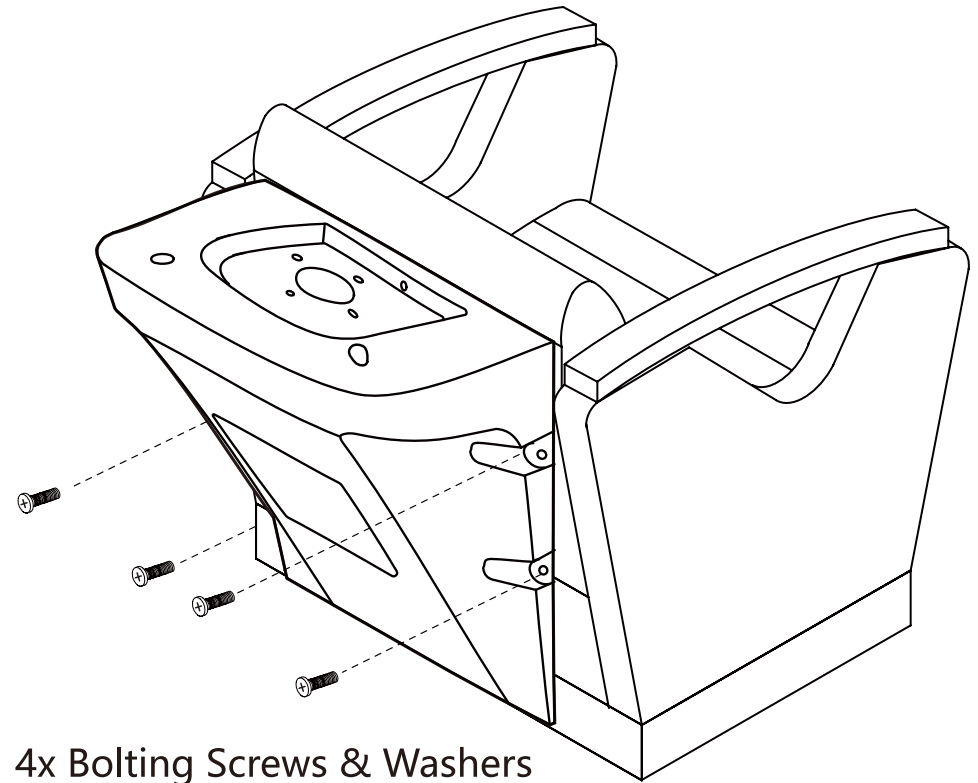
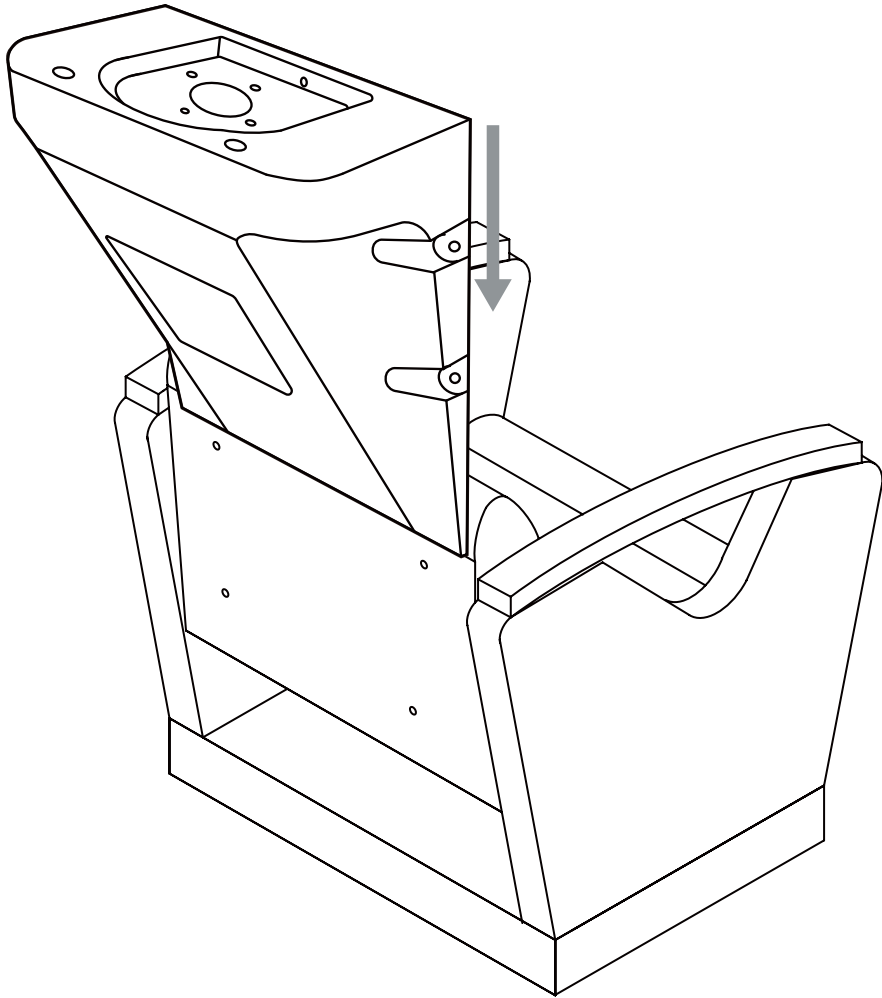
Expansion Bolts



Wrench

Type	USA size	UK size
Water Supply Lines	$\frac{5}{8}$ "	$\frac{1}{2}$ "
Drain Hose Connector	$1\frac{1}{4}$ "	3.2cm

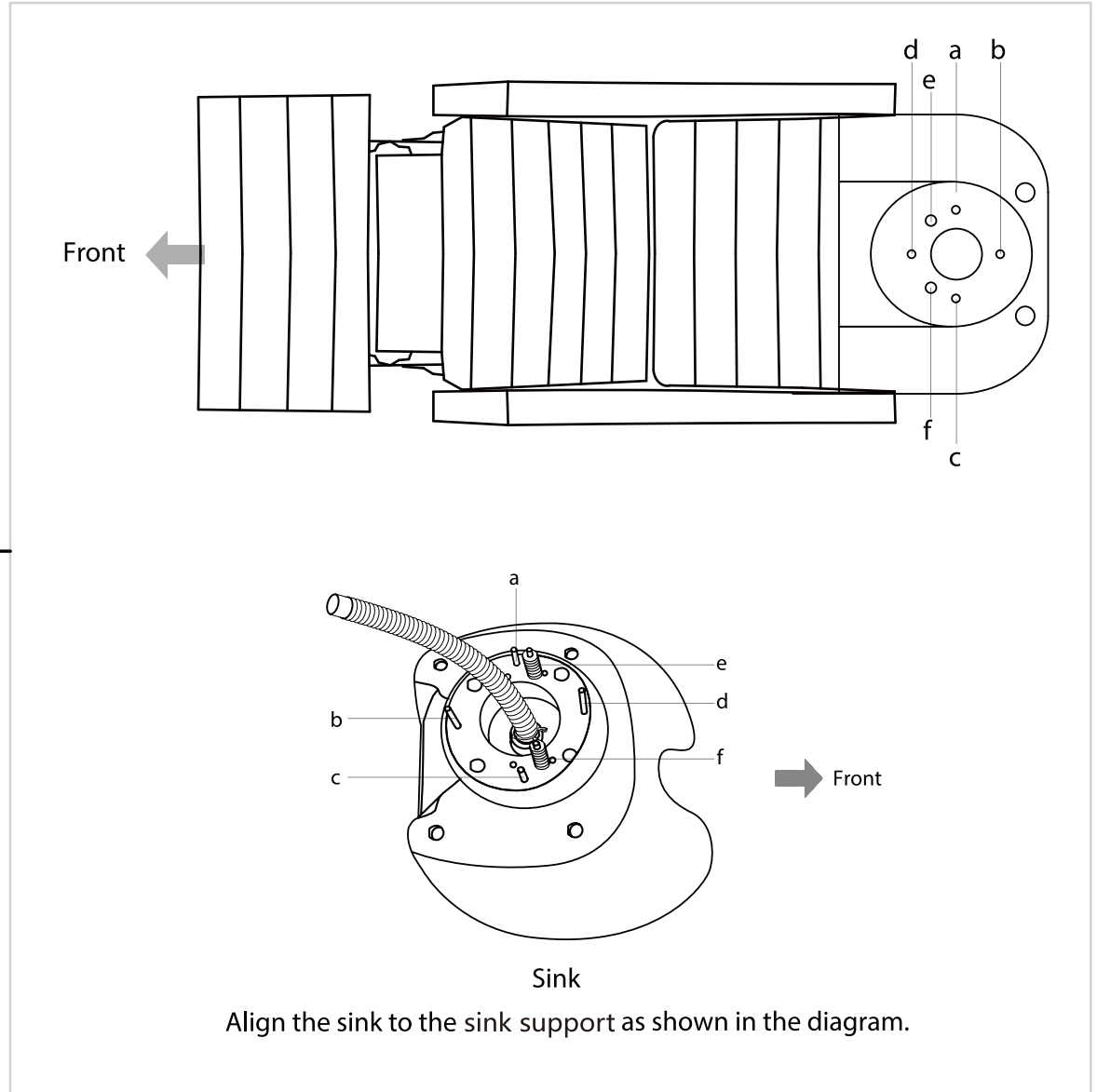
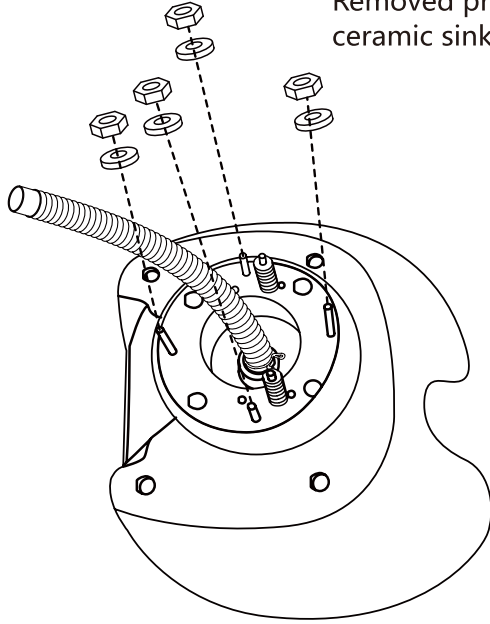
## Sink Support Panel



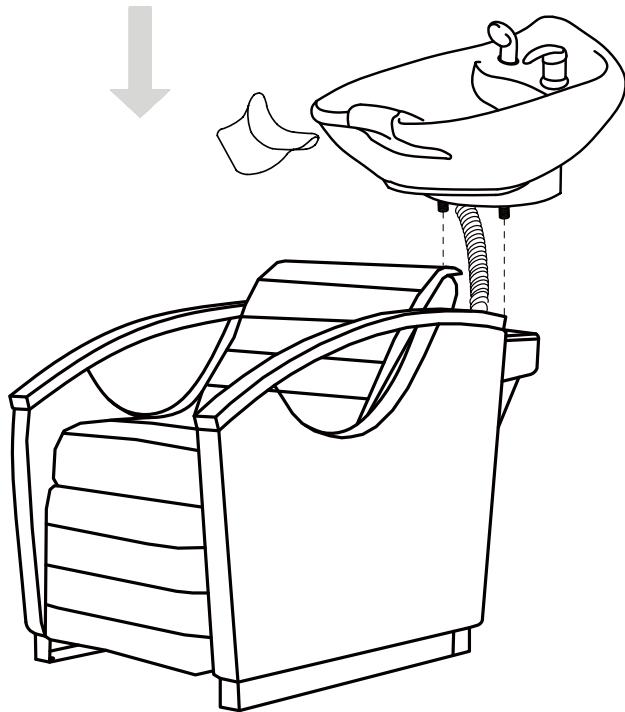
4x Bolting Screws & Washers

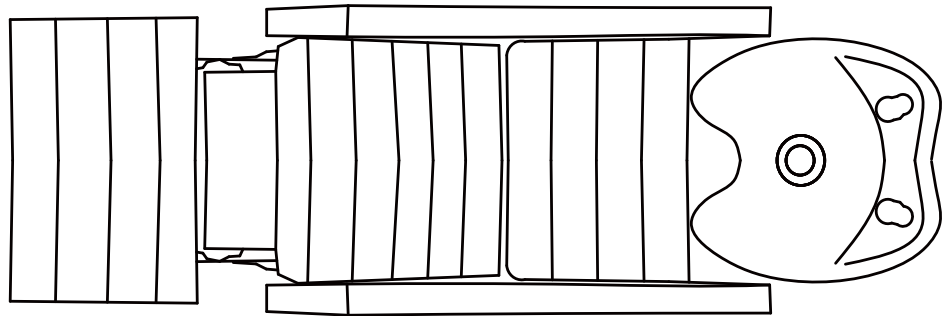
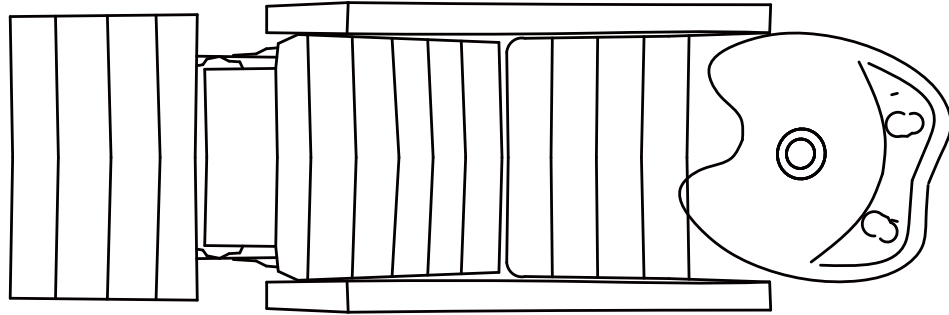
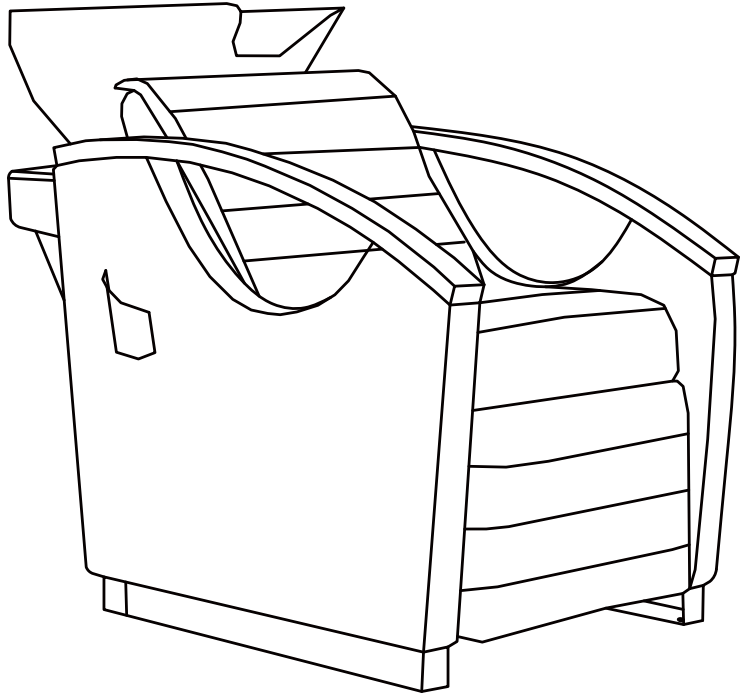
# Installing Ceramic Sink

Removed pre-installed Nuts & Washers and use to mount ceramic sink onto Sink Support Panel.

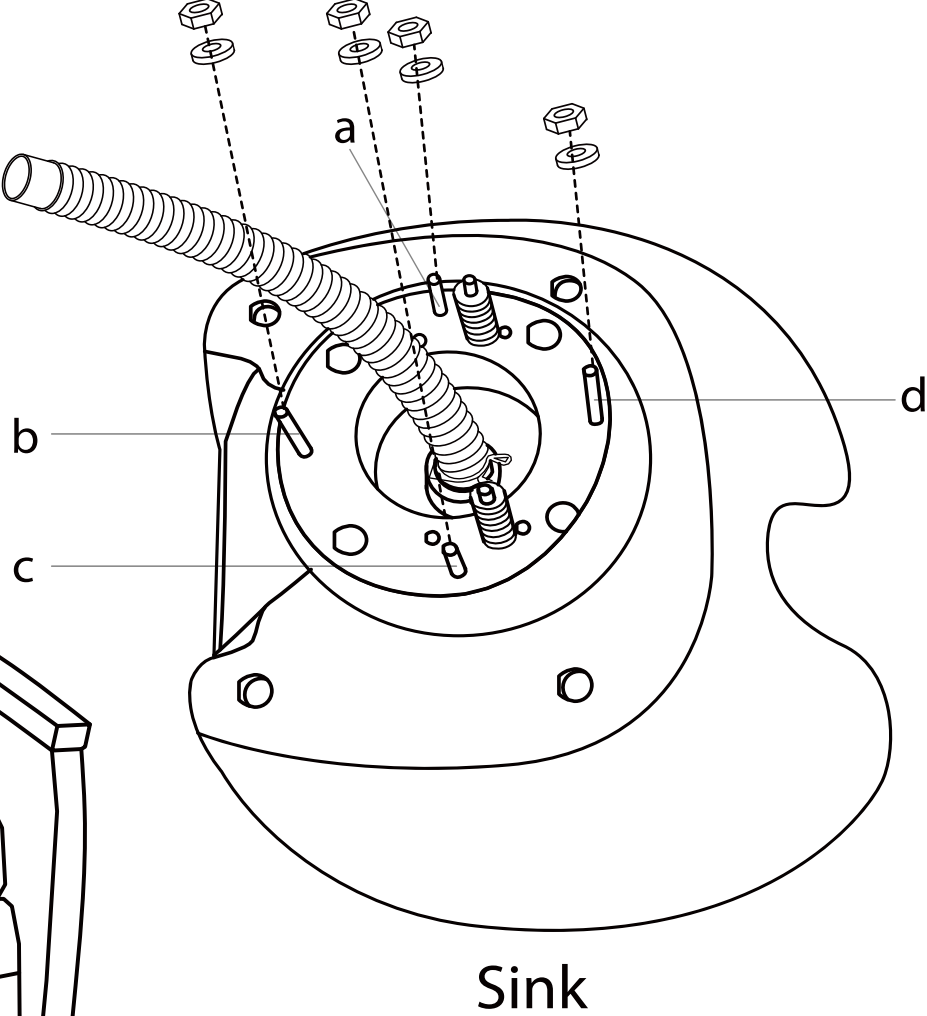
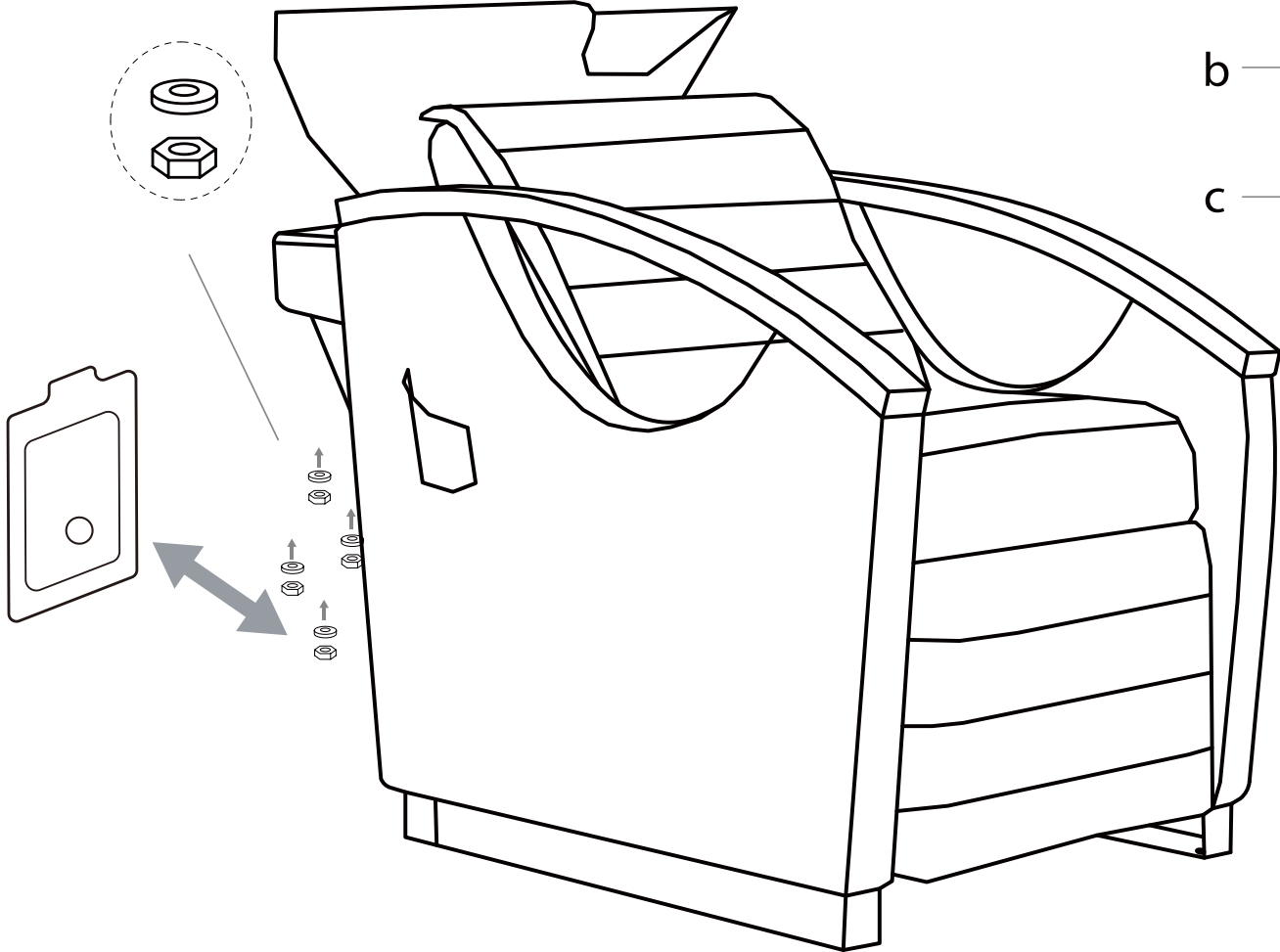


Align the sink to the sink support as shown in the diagram.



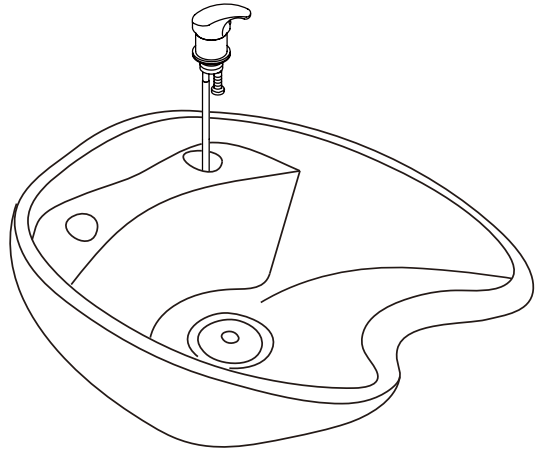


Once sink is properly aligned, use the 4x Nuts & Washers removed from the sink originally to secure the sink onto the support panel.

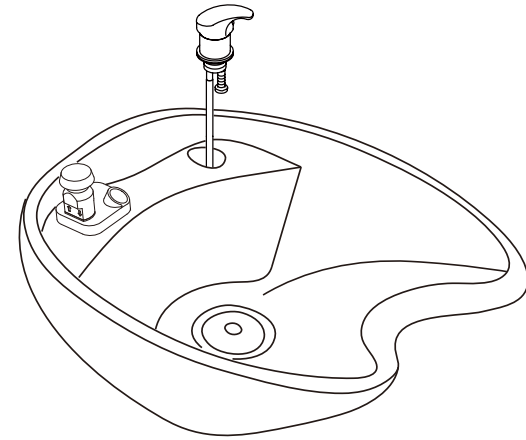


# Faucet Set up

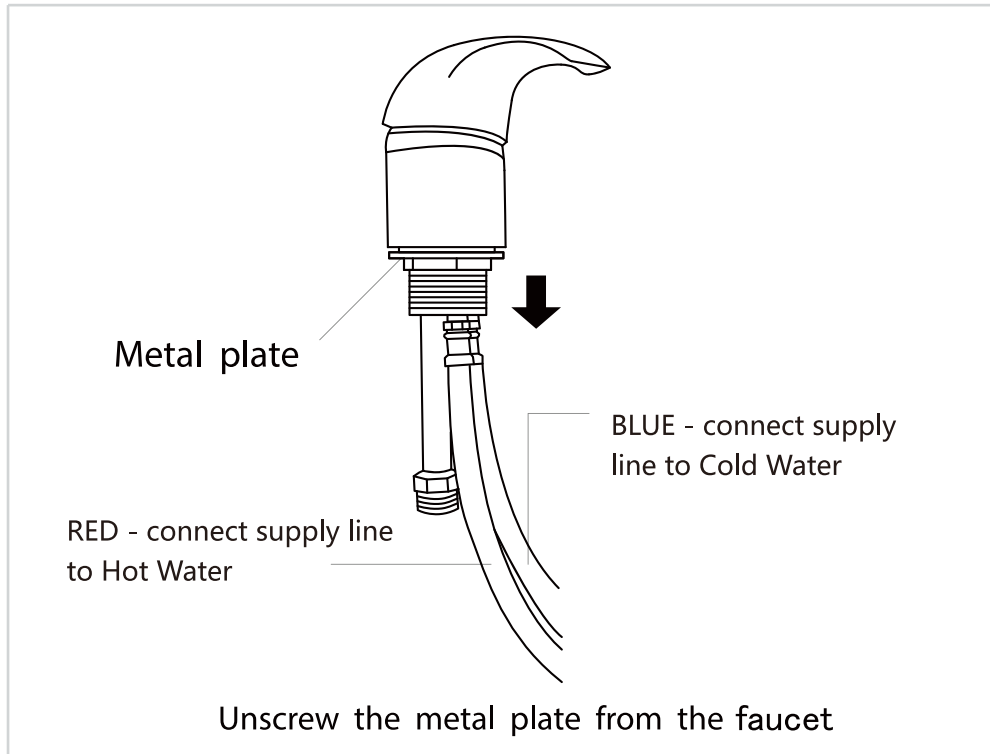
## Non-Vacuum Breaker Sink



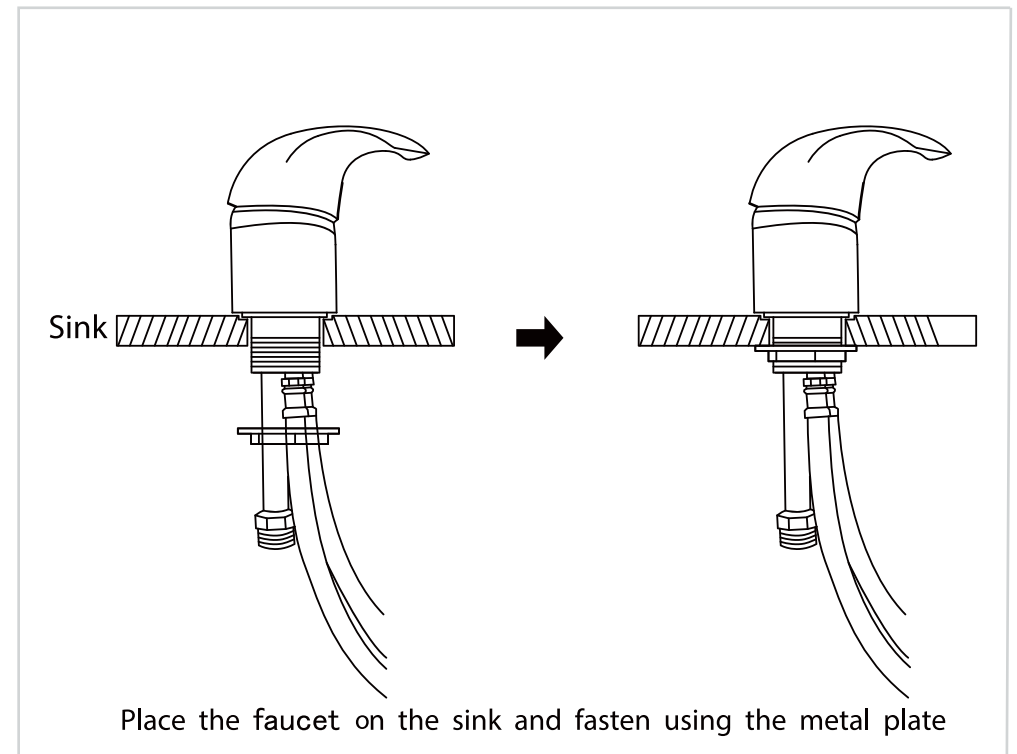
## Vacuum Breaker Sink



or



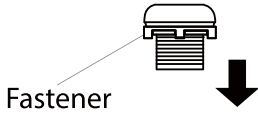
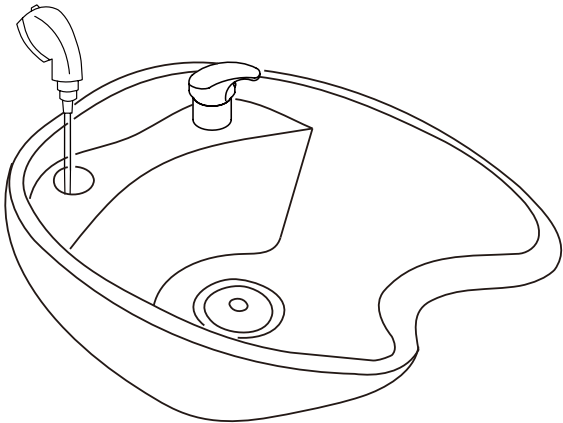
STEP 1



STEP 2

# Sprayer Set Up

## Non-Vacuum Breaker Sink



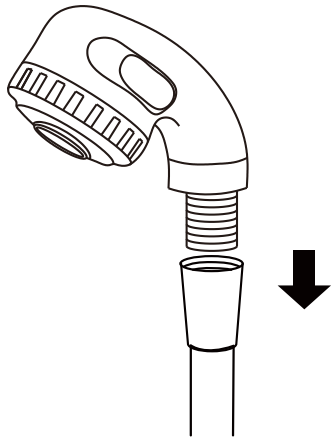
Unscrew the fastener from the sprayer head holder.

STEP 1



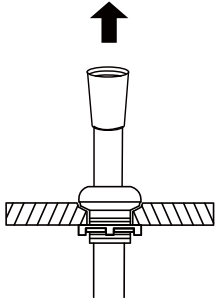
Fasten the sprayer head holder to the sink with the plastic fastener.

STEP 2

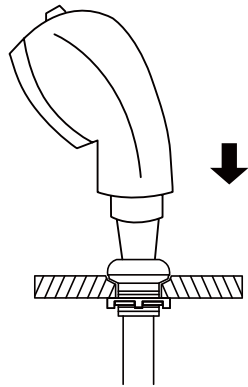


Unscrew the sprayer head from the sprayer hose.

STEP 3



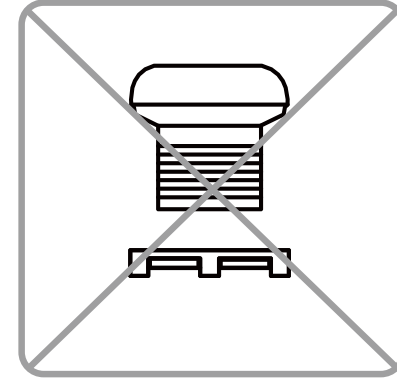
Insert sprayer hose from underneath hold and connect to sprayer head



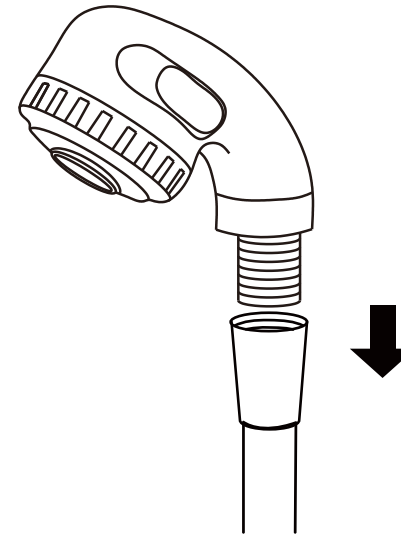
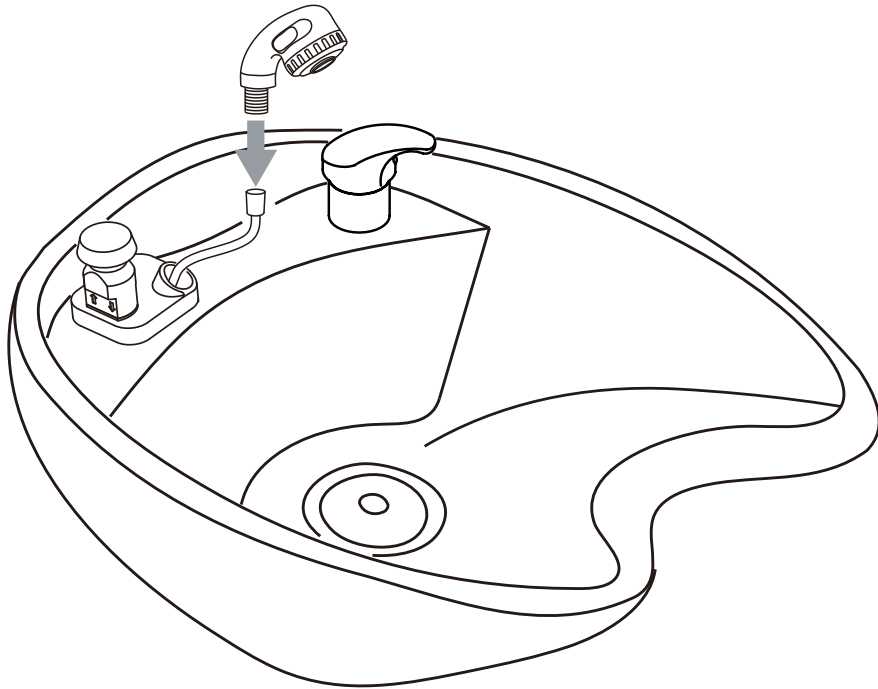
STEP 4



# Sprayer Set Up Vacuum Breaker Sink

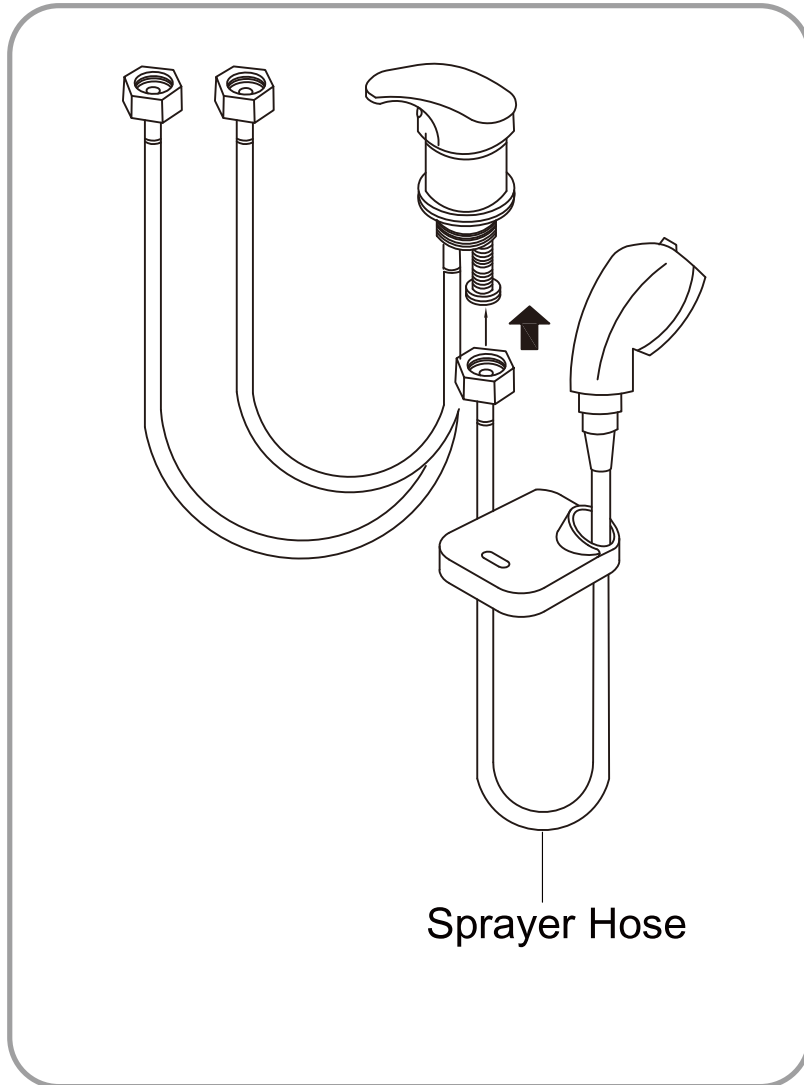


Not Needed for this application



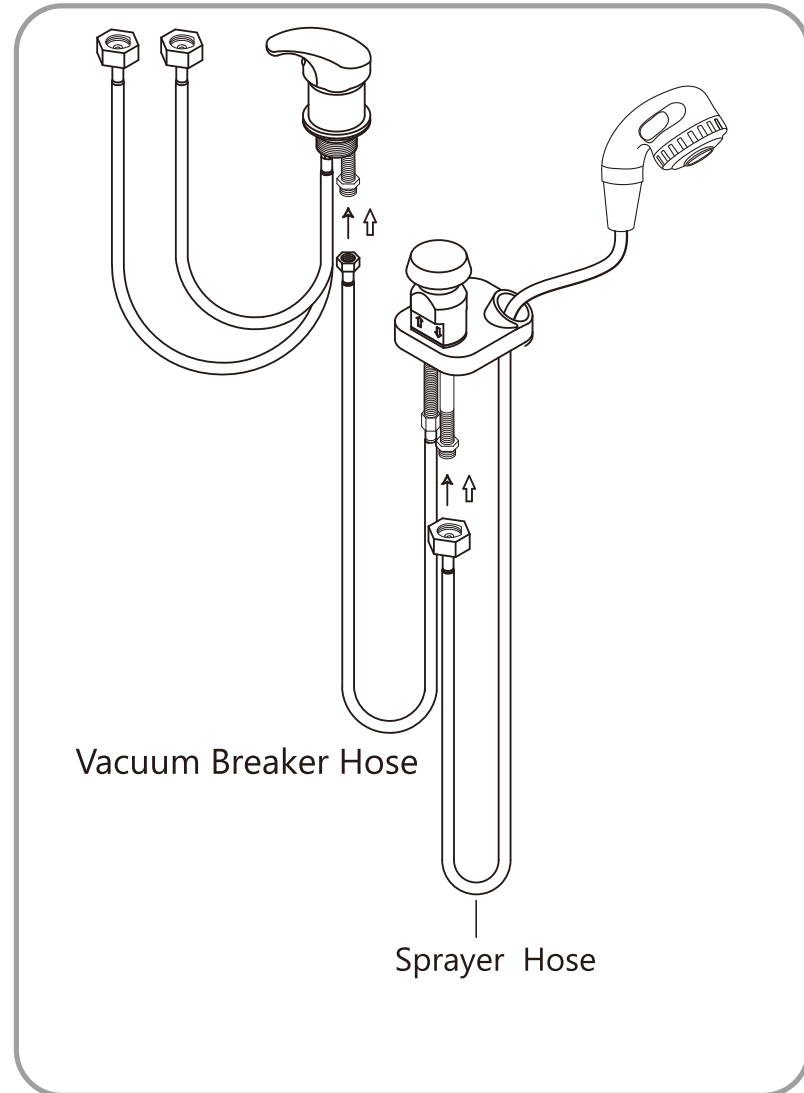
Unscrew the sprayer head from the sprayer hose.

## Non-Vacuum Breaker Sink



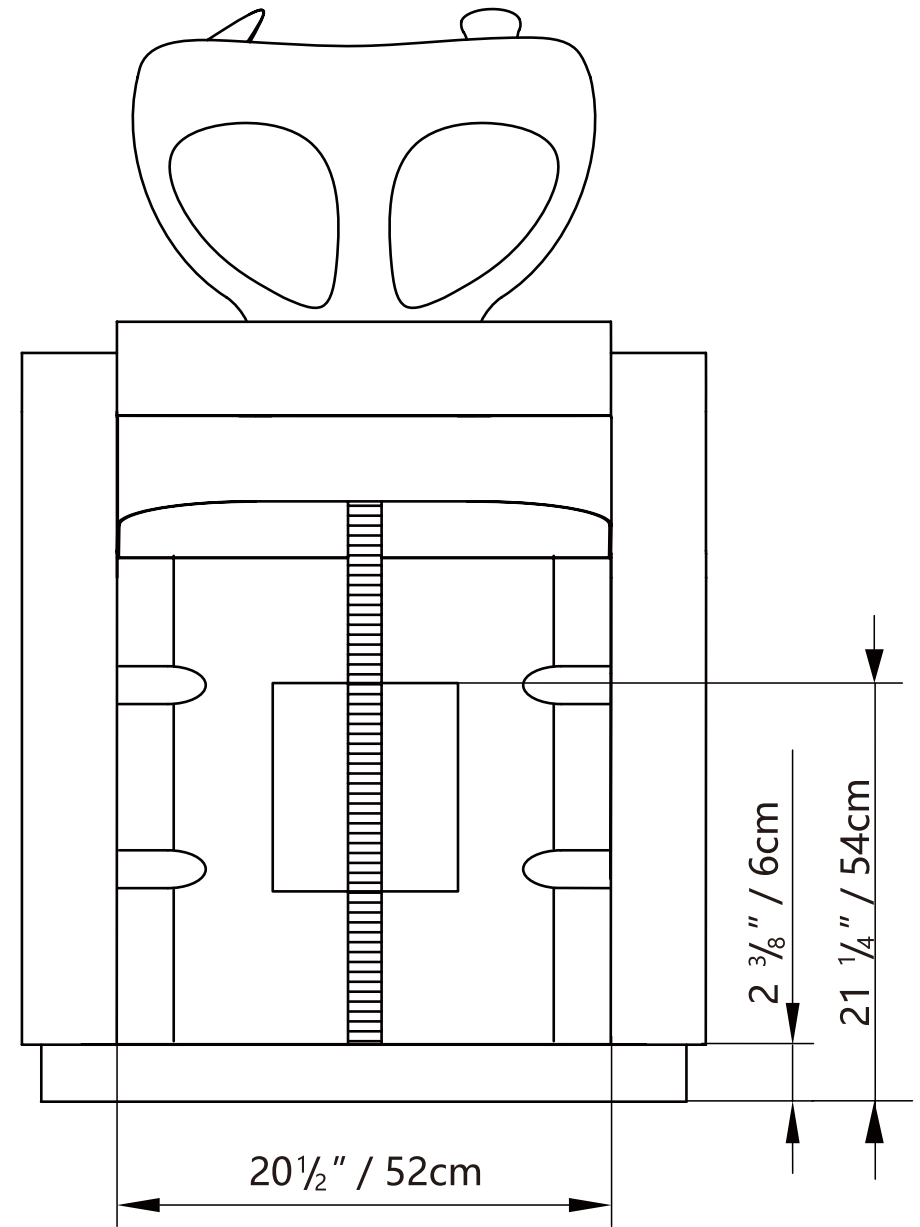
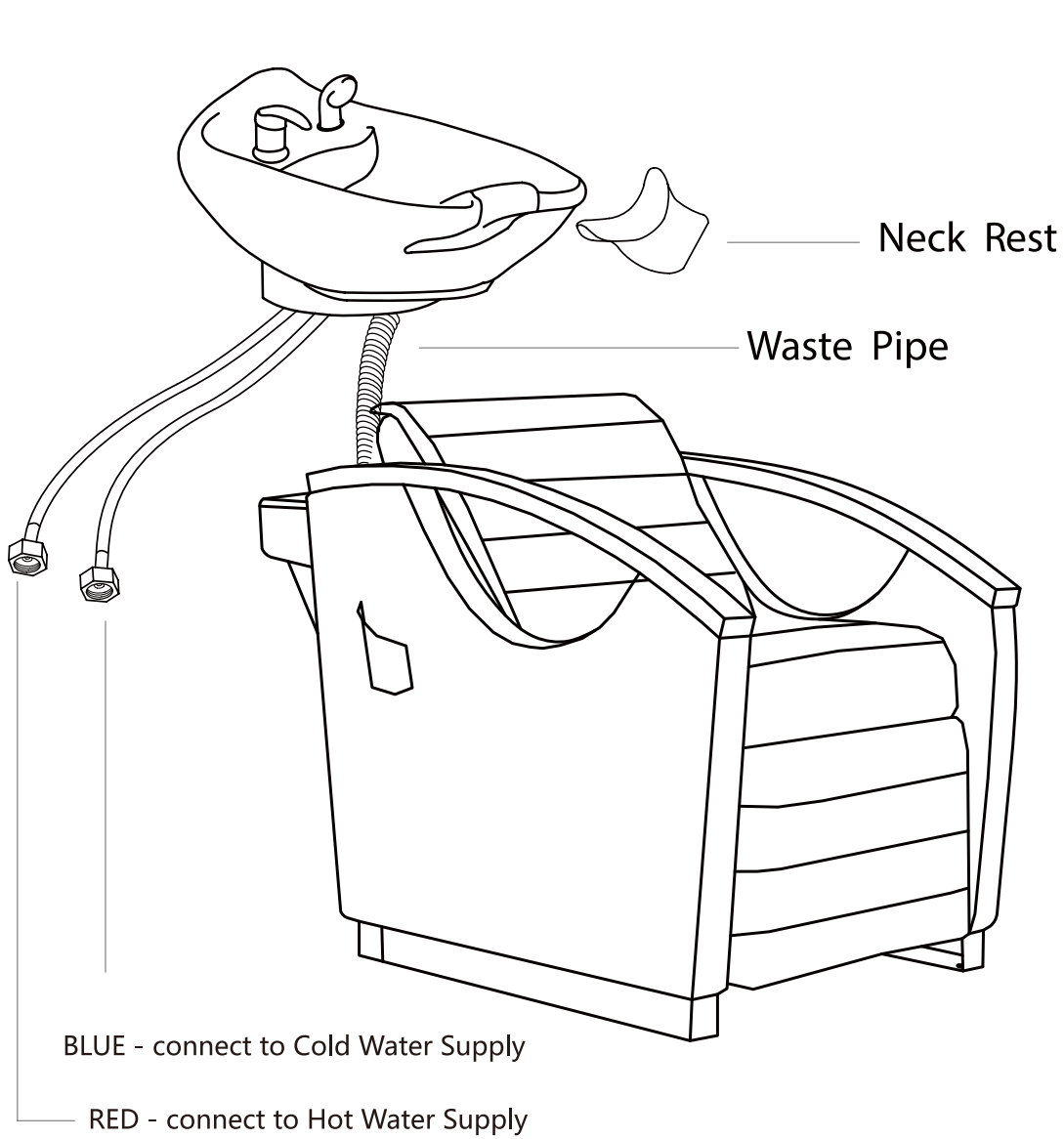
or

## Vacuum Breaker Sink



Plumbing setup:

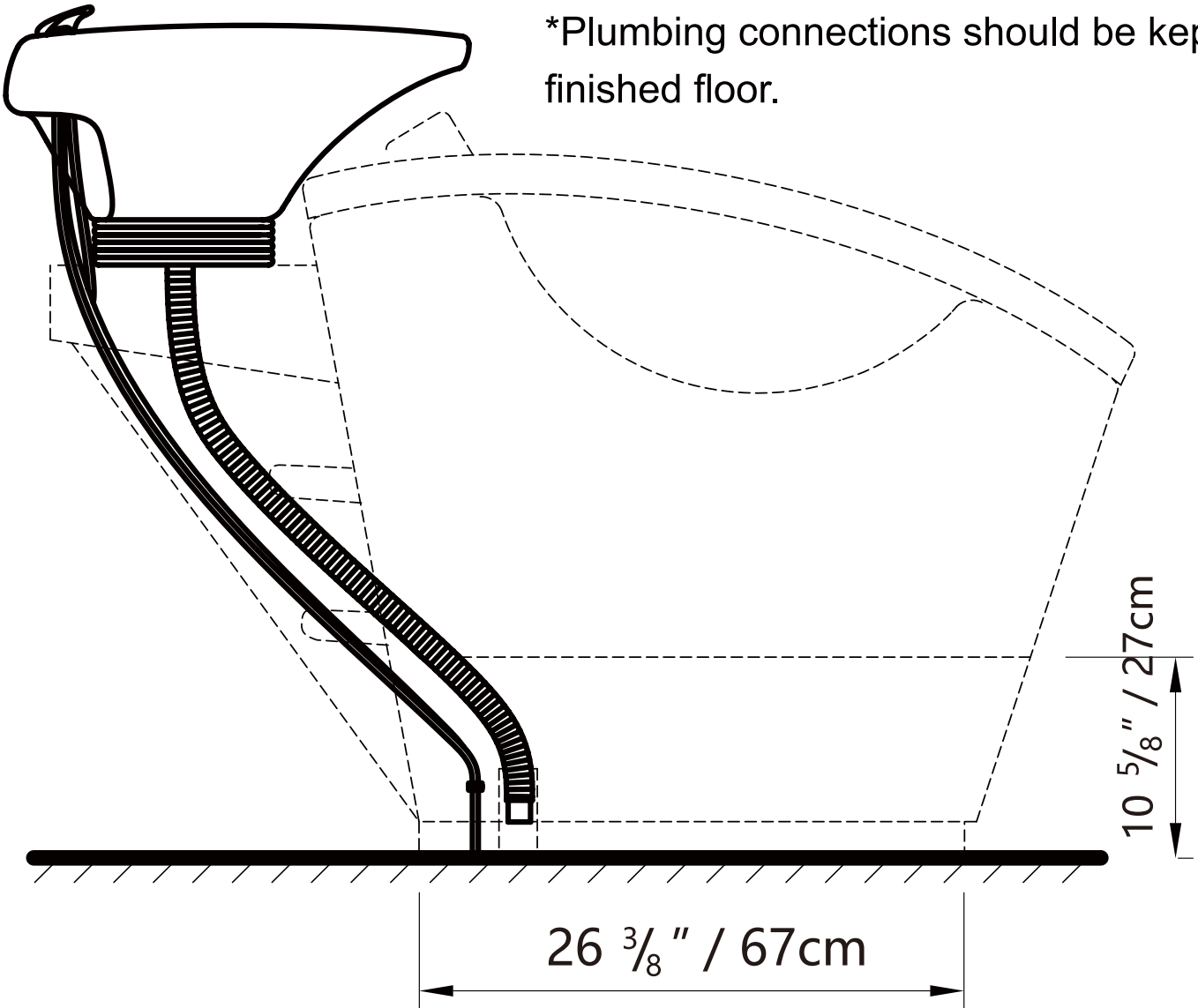
\*removable back panel to route both water supply lines and make all connections.



### Floor Plumbing Setup Configuration

-All plumbing lines will be enclosed inside unit.

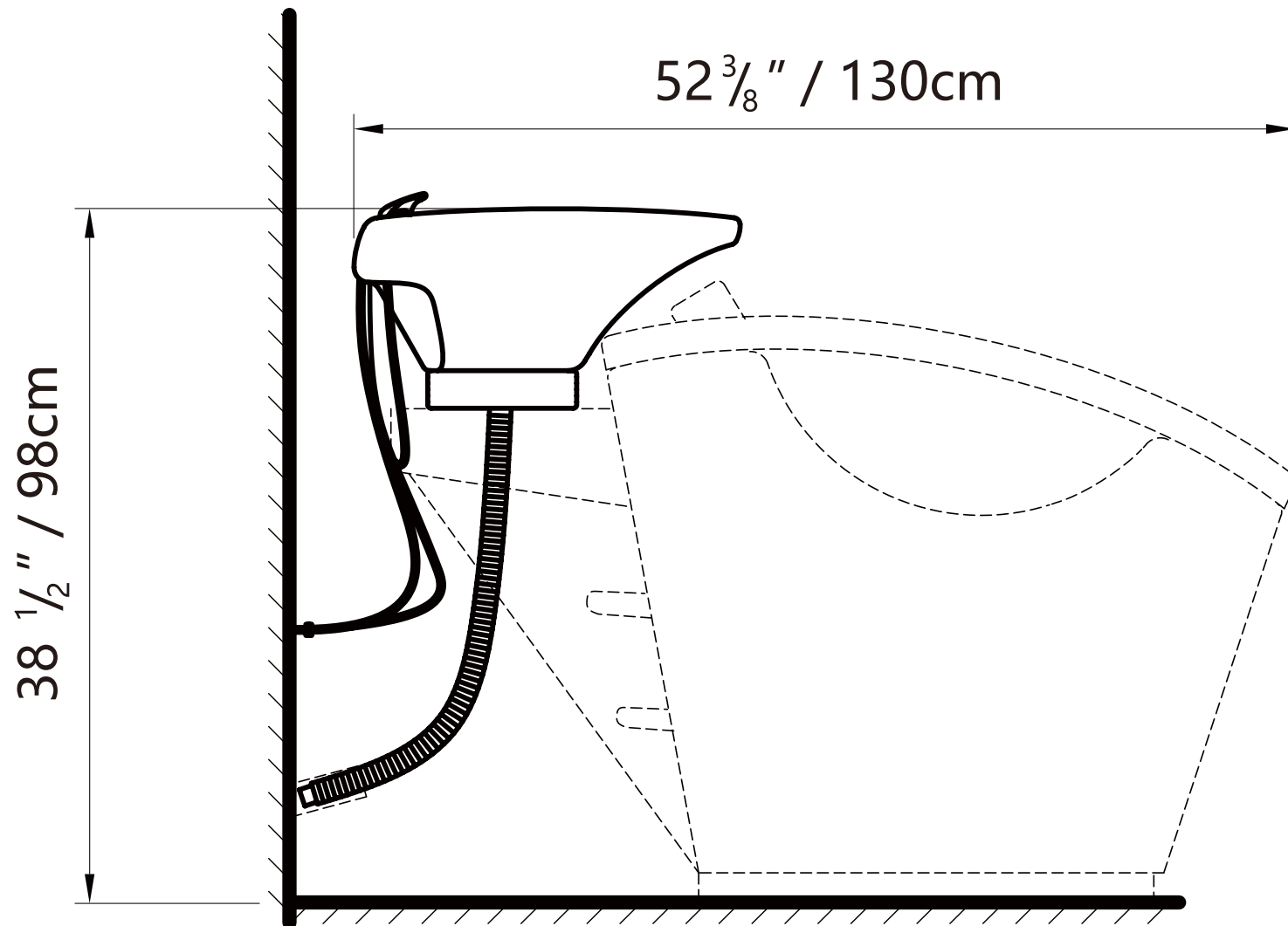
\*Plumbing connections should be kept within 8" from the finished floor.



## Wall Plumbing Setup Configuration

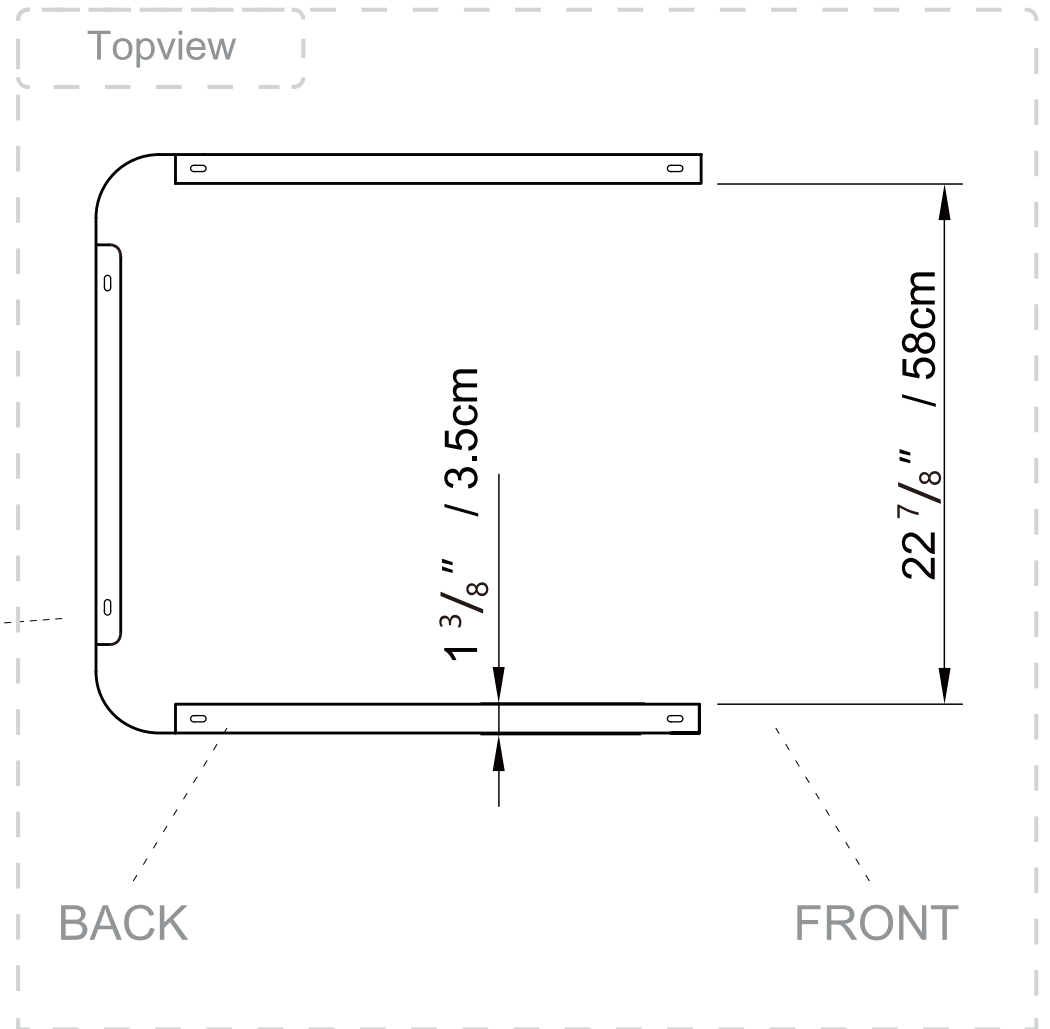
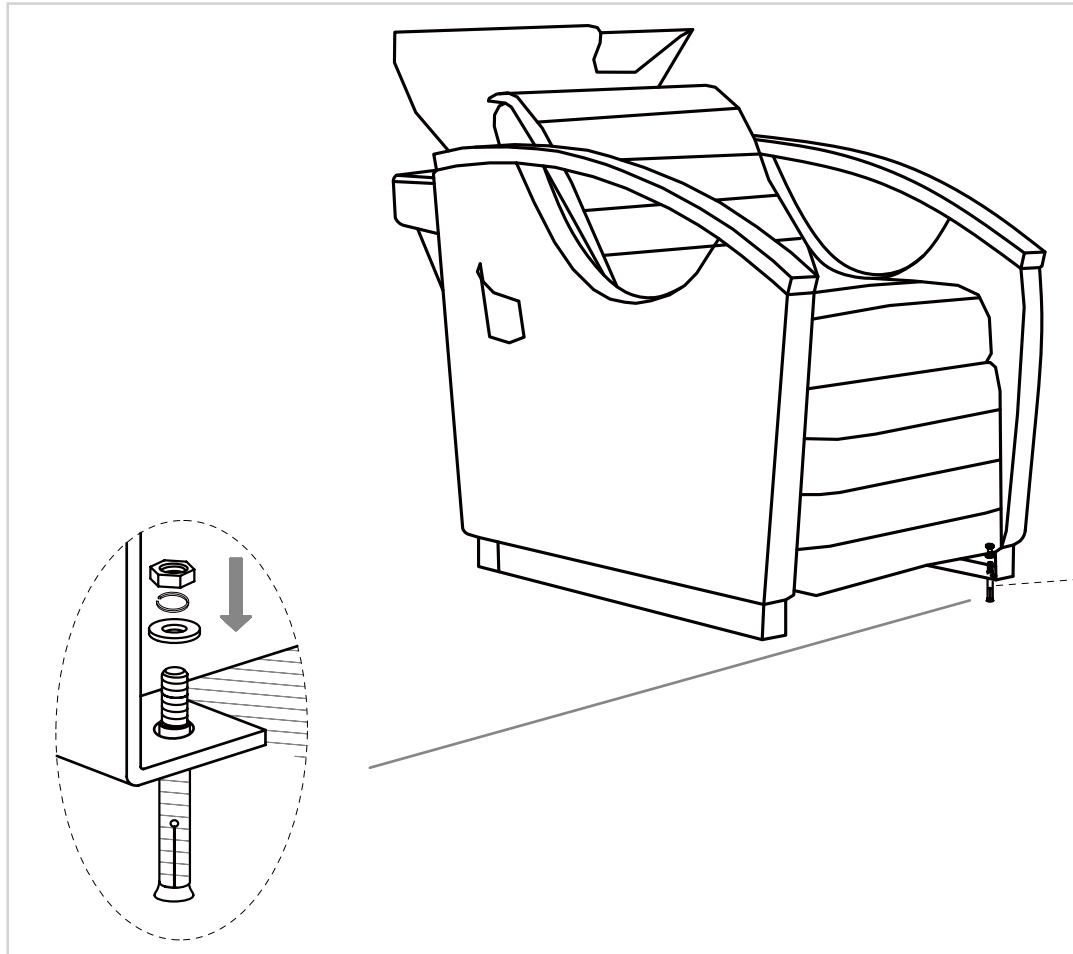
-Drain hose can exit with circle opening on support access panel

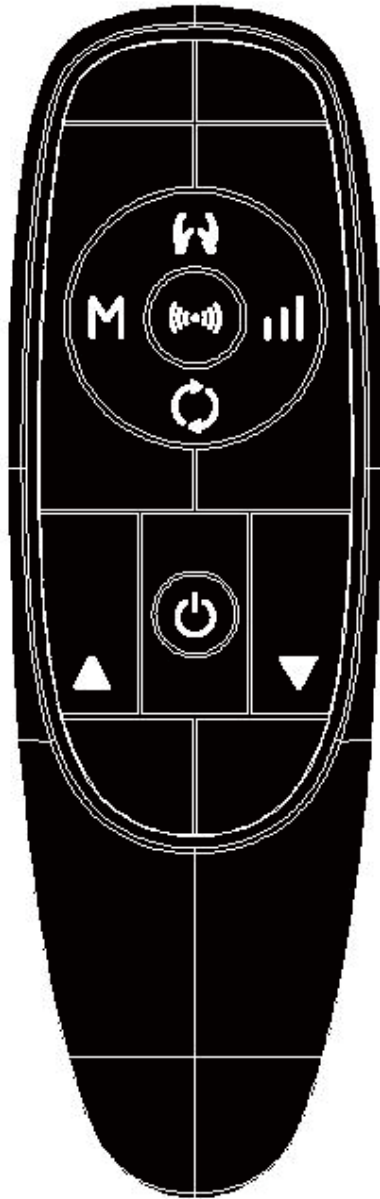
\* Avoid setting the drain too high for maximize draining











Please leave minimum  $7 \frac{7}{8}'' / 20\text{cm}$  of space measuring from finished wall to the back of the sink to allow sinks tilting position.

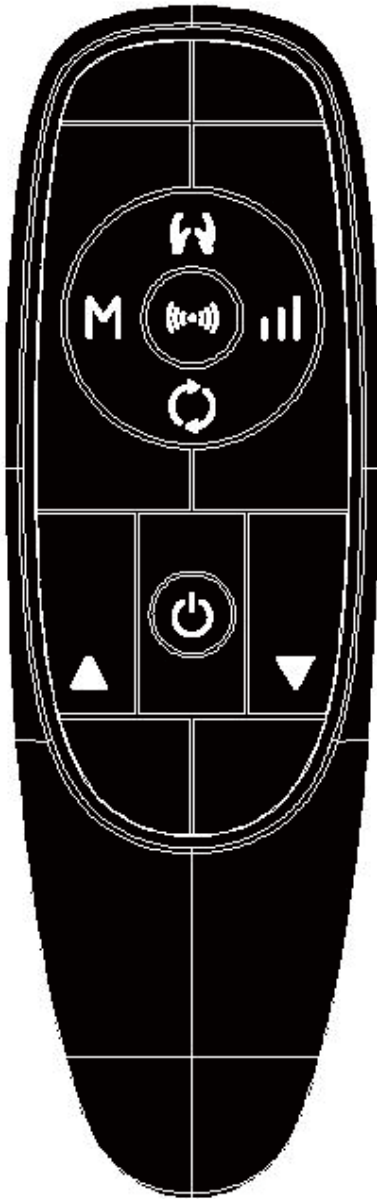
For best practice and safety, DIR recommends all users to secure the shampoo backwash units to the floor with provided expansion bolts.





## Bella V . Wireless Hand Remote Function and Connectivity

1.  ON/OFF Function - When powered ON this unit will start preset massage function along with Leg-rest extension. When turned OFF the unit will return to sitting position when Leg-rest will return to position and the massage function will be turned off.
2.  UP - Leg-rest Extension - press once to fully extend the leg-rest, press again to stop at any position.
3.  DOWN - Leg-rest Retraction - press once to fully retract the leg-rest, press again to stop at any position
4.  VIBRATION - Vibrating massage function, press to turn ON and again to turn OFF
5.  VIBRATION MODES - Choose between three vibration massage settings
6.  INTENSITY - Massage intensity at low when unit is first turned on, press function to increase intensity level.
7.  KNEAD - Press to activate and deactivate Kneading massage.
8.  REVERSE - Press to activate reverse Kneading massage (when Kneading function is activated).



## Wireless Hand Remote Pairing

\*Wireless Hand Remotes are factory configured to pair with all shampoo units, please follow below steps to configure/dedicate a Hand Control to a specific unit.

Before you start, please make sure all other units are powered off and unplugged except the unit that is being paired, do so for each unit during the pairing process to avoid cross pairing/interference.

### Pairing Hand Remote to Unit:

Plug unit into power, press and hold ON/OFF button for 5 seconds, the unit will power on once you release the ON/OFF button, your unit is not paired with this specific Hand Remote.

### Disabling Pairing from Unit:

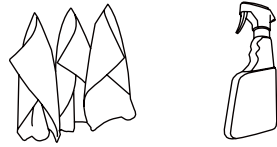
Plug unit into power, press and hold VIBRATE button for 5 seconds, the unit will power on once you release the ON/OFF button, Hand Remote is now un-paired with your shampoo unit.



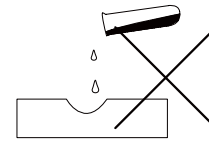
## Product care



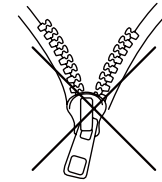
Brush away excess hair



Clean surface with damp cloth or use simple soap & water solution.



Avoid using corrosive cleaning agents such as bleaches.



Do not remove upholstery for cleaning

## Warranty

The warranty period is one year. DIR warrants to you, the original buyer, that goods shall be free of defects in material and/or workmanship attributable to manufacture for one year from date of receipt of product. Damage resulting from improper handling after merchandise is received, or from exposure to weather or extreme atmospheric conditions is not covered by the warranty. For any other information please contact our support team:

### DIR Birmingham

66 Rea Street South  
Birmingham  
B5 6LB

Email: [sales@dirstore.co.uk](mailto:sales@dirstore.co.uk)  
Phone: +44 (0) 121 6434777

### DIR London

Unit 1 River Road Business Park,  
33 River Road, Barking,  
Greater London, 1G11 0DA

Email: [london@dirstore.co.uk](mailto:london@dirstore.co.uk)  
Phone: +44 (0) 20 8591 9310

### DIR New York

575 Underhill Blvd Suite #170  
Syosset, NY 11791, USA

Email: [sales@dirsalonfurniture.com](mailto:sales@dirsalonfurniture.com)  
Phone: +1 (718) 628 6668  
+1 (800) 728 2008  
Fax: +1 (855) 628 5168