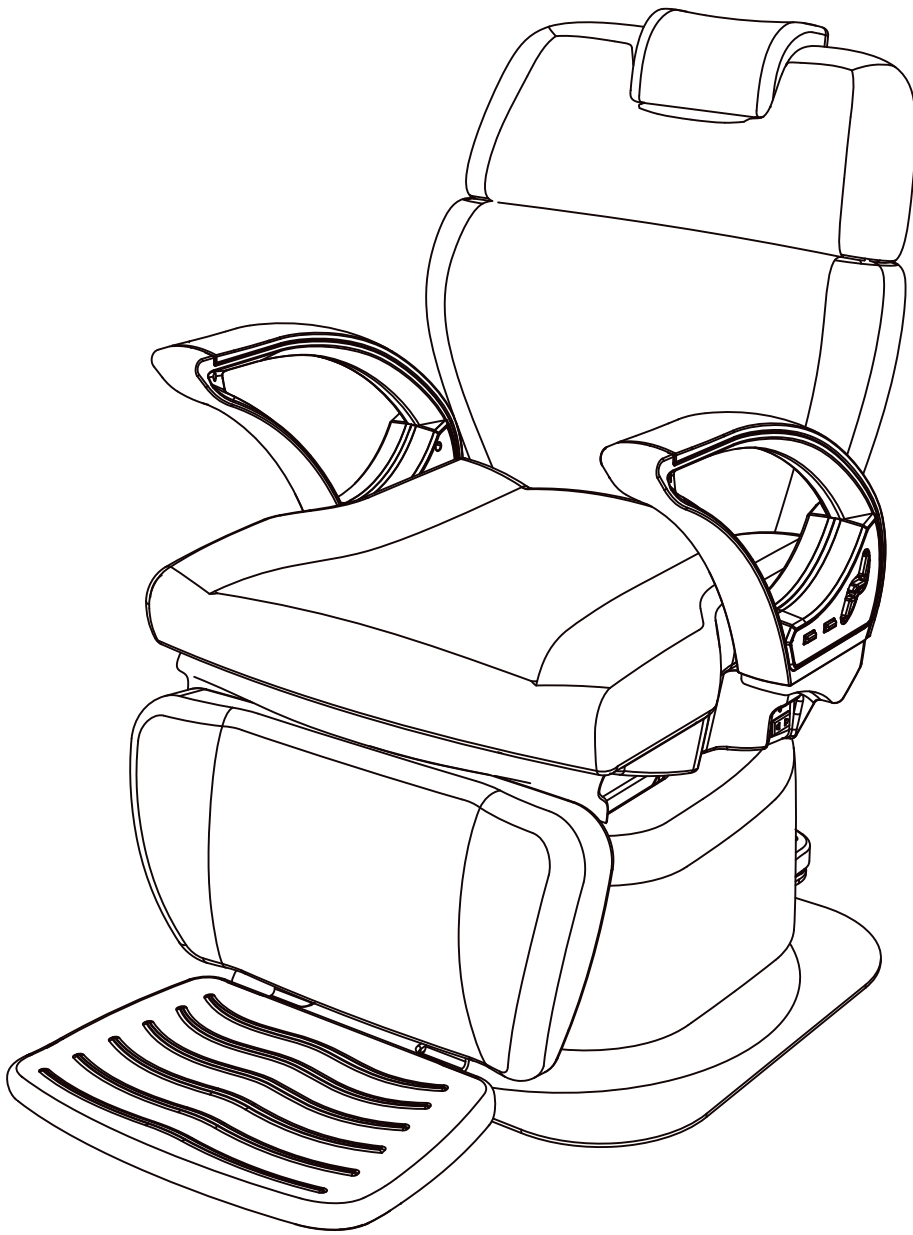


# DIR<sup>®</sup>



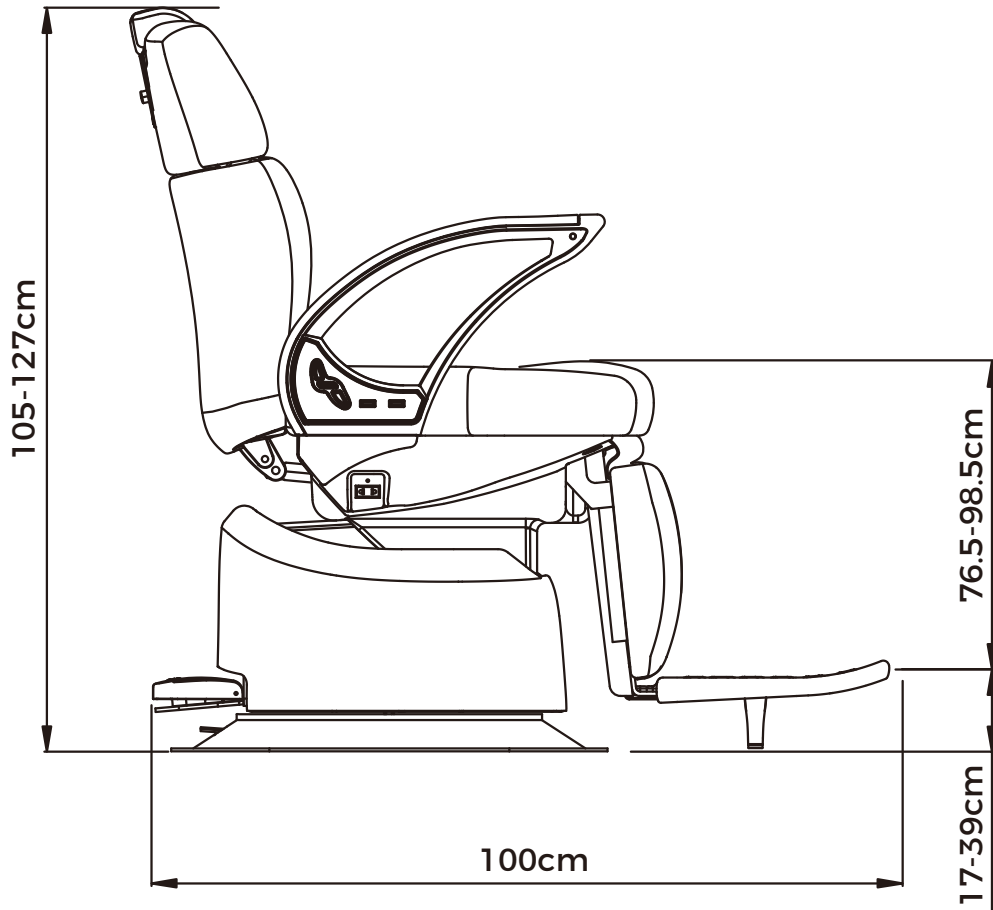
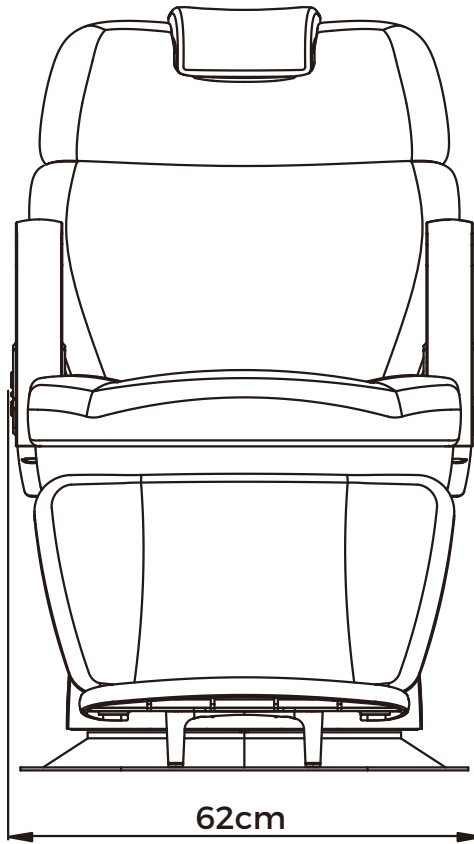
## **PRESTIGE**

Instruction Manual

DIR Code: 2555

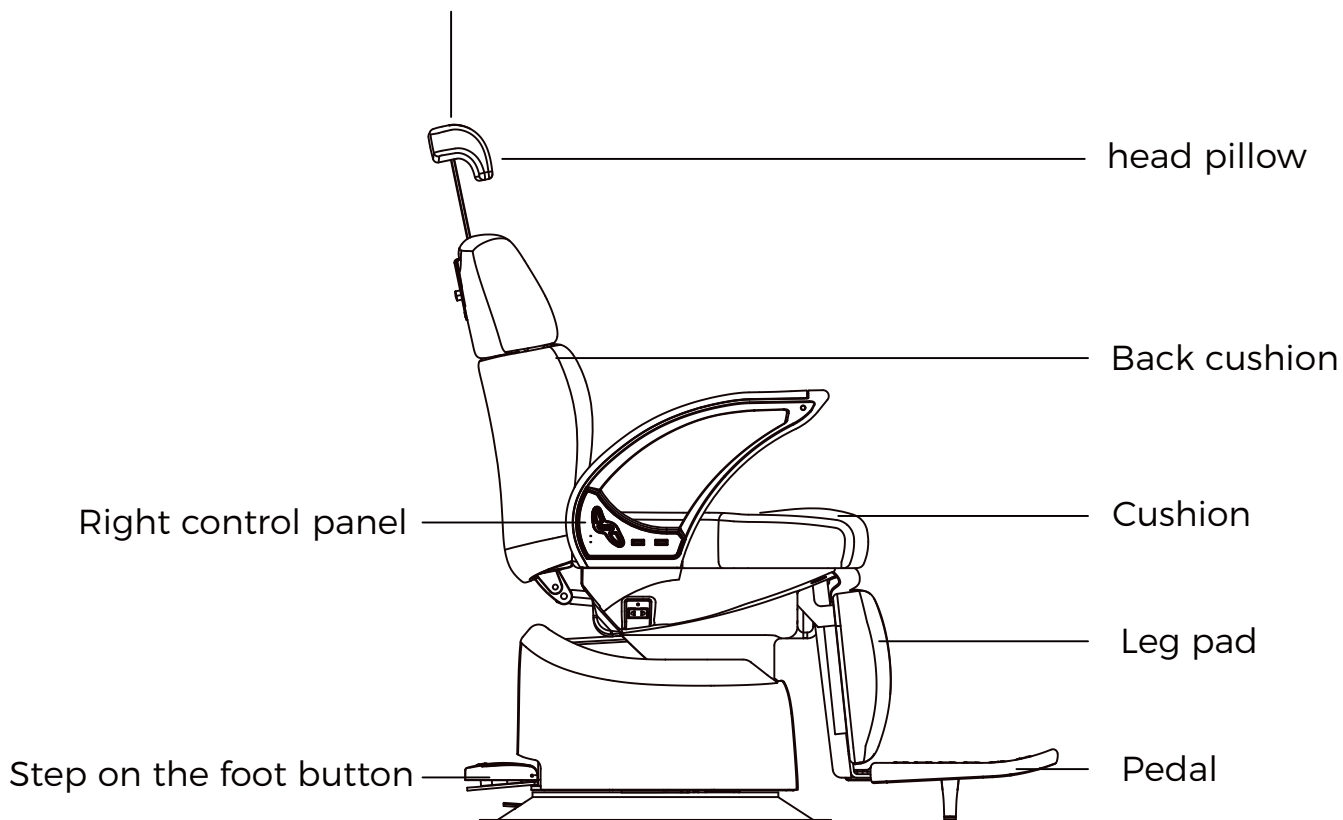


# Product Specifications



# Product structure diagram - moving parts

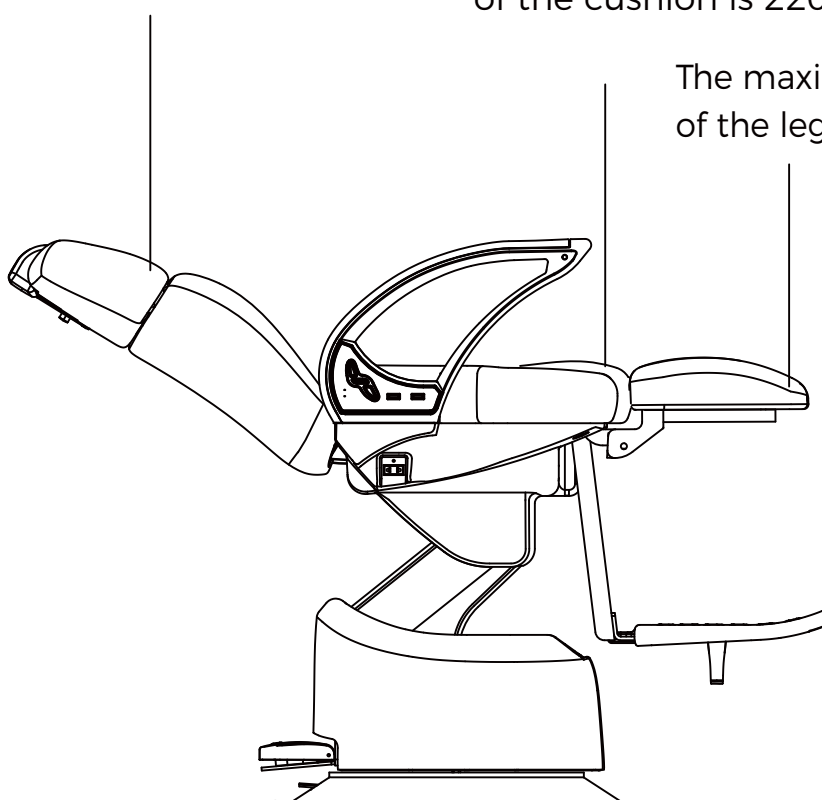
Maximum head adjustment height of headrest  $180\pm 5\text{mm}$



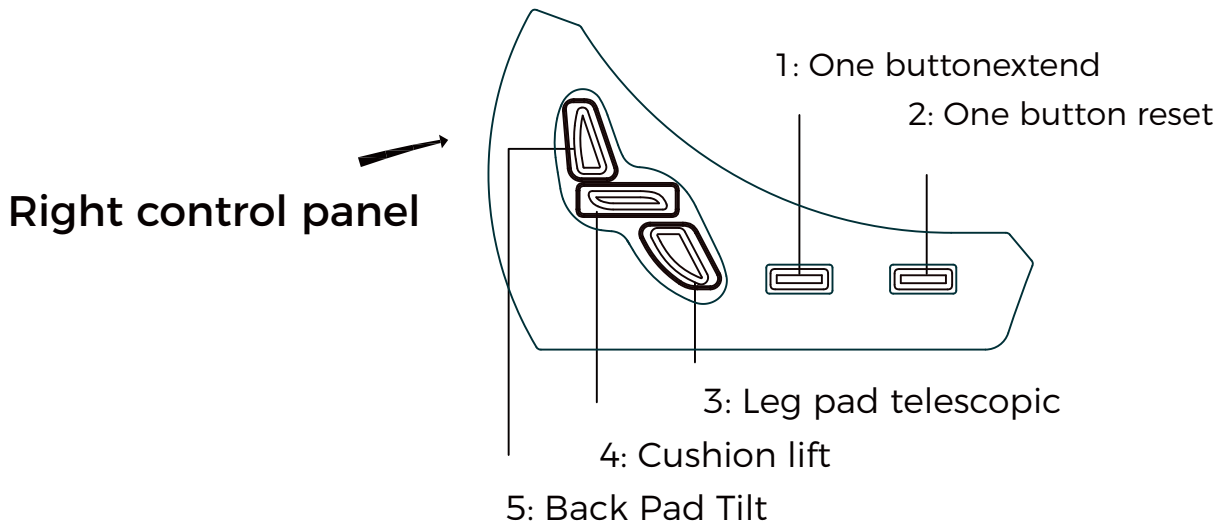
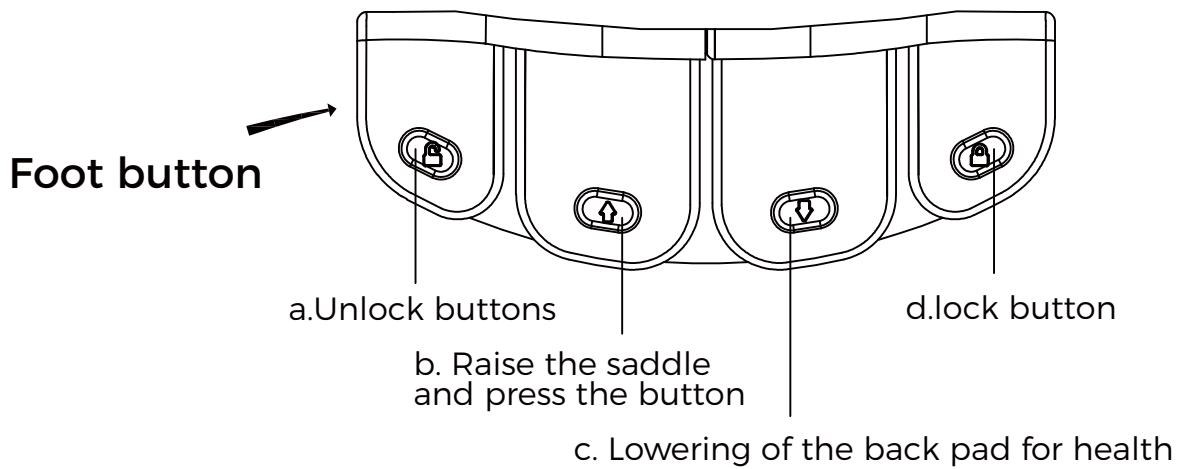
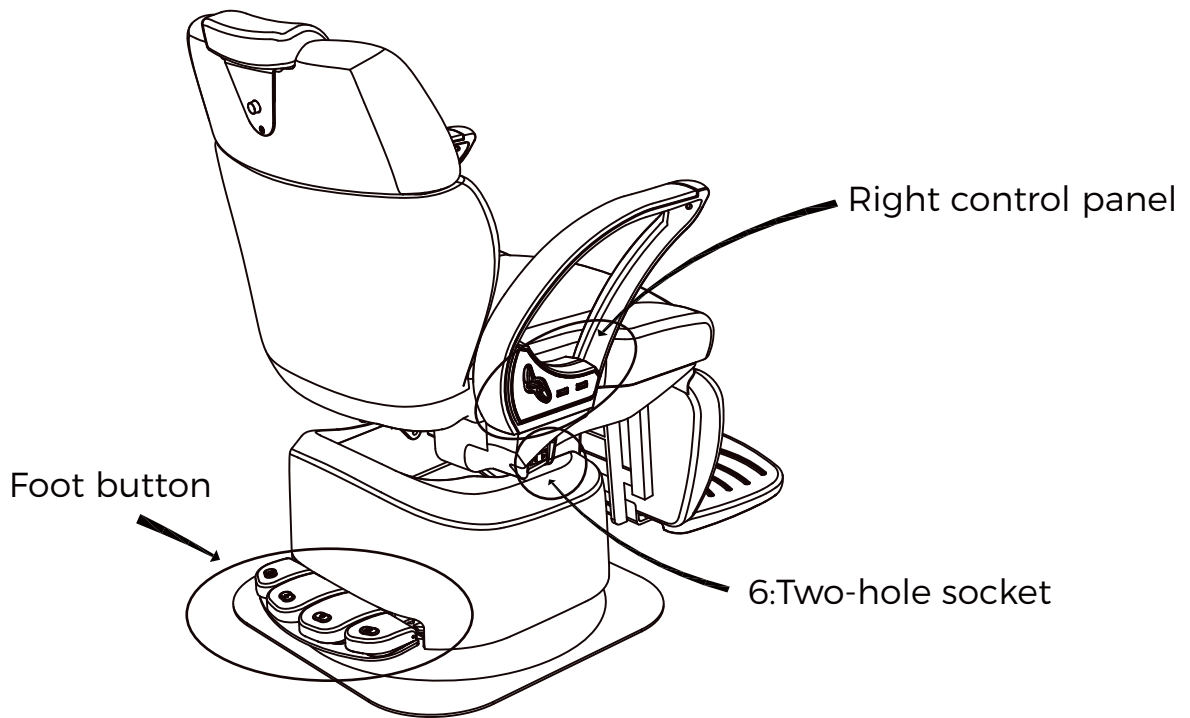
The maximum backward angle of the back cushion is  $50^\circ\pm 5^\circ$

The maximum lifting height of the cushion is  $220\pm 10\text{mm}$

The maximum extension angle of the leg pad is  $85^\circ\pm 5^\circ$



# Control Panel Diagram



# Maintenance method and warranty description

## Maintenance methods

Make sure to cut off the power supply before cleaning the product;

Do not use water or other liquids to clean the electrical components (such as power switches, motors, circuit boards, etc.) Electrical components can be wiped with a clean cloth;

It is forbidden to disassemble the product for modification.

## Warranty instructions

The whole chair warranty period is one year (calculated from the date of the loan)

During the warranty period, if the quality problem of the product causes the fault, please contact our company for free repair with the completed "product warranty certificate" and the purchase contract;

Please keep the purchase contract and the product warranty certificate together with the warranty certificate. Once the contract is altered, the warranty will be deemed invalid;

For customers who have passed the warranty period, if they need to purchase spare parts, please contact our company for purchasing.

In the following cases, repairs are not free:

The purchase contract or warranty card is missing;

Failure to operate the product in accordance with the requirements of the manual;

The following conditions are not covered by the warranty:

a. Damage caused by improper use, storage, and maintenance of consumers;

b. The damage caused by force majeure.

# Safety Precautions

Thank you for choosing to use this product. In order to facilitate your use, please read this manual carefully and follow the instructions to operate, please take good care of the manual and purchase contract. If you encounter any difficulties in using, or have any comments and suggestions on our products and services, please contact the dealer or directly contact our service hotline.

Please read the manual carefully before use. Our company reserves the right to explain the manual.

Please refer to the real product for the appearance of the product.

Please check whether the voltage used is the same as the voltage marked on the product before using;

When moving or cleaning the product, please cut off the power supply;

Do not plug in and out the power supply with wet hands to avoid the electric shock;

When the power cord is wet or damaged, do not use this product. Please let the personnel who have received relevant training and hold an electrician operation certificate or go to the designated maintenance department for to replace the power cord;

It is necessary to check whether the power cord and plug are damaged. If so, for safety reasons, please let the personnel who have received relevant training and hold an electrician operation certificate or go to the designated maintenance department for to replace the power cord before using;

When the product is not in use or nobody is around the product, please turn off the power and unplug the power plug to avoid circuit failure or accidents;

Do not move the product by pulling the power cord directly;

Do not store or use this product outdoors or in direct sunlight;

When children, disabled people or people with mobility problems use this product, a guardian should be present;

During the operation of the product, please do not touch the running parts, so as to avoid hand injury and hand pinch;

Only one two-hole power socket on this product can be used simultaneously, and the load power cannot be greater than 1500W.



## DIR Birmingham

66 Rea Street South  
Birmingham  
B5 6LB

Email: [sales@dirstore.co.uk](mailto:sales@dirstore.co.uk)  
Phone: +44 (0) 121 6434777  
<https://www.dirstore.co.uk>

## DIR London

Unit 1 River Road Business Park,  
33 River Road, Barking,  
Greater London, IG11 0DA

Email: [sales@dirstore.co.uk](mailto:sales@dirstore.co.uk)  
Phone: +44 (0) 20 8591 9310

## DIR New York

575 Underhill Blvd Suite #170  
Syosset, NY 11791, USA

Email: [sales@dirsalonfurniture.com](mailto:sales@dirsalonfurniture.com)  
Phone: +1 (718) 628 6668  
+1 (800) 728 2008  
Fax: +1 (855) 628 5168  
<https://www.dirsalonfurniture.com>